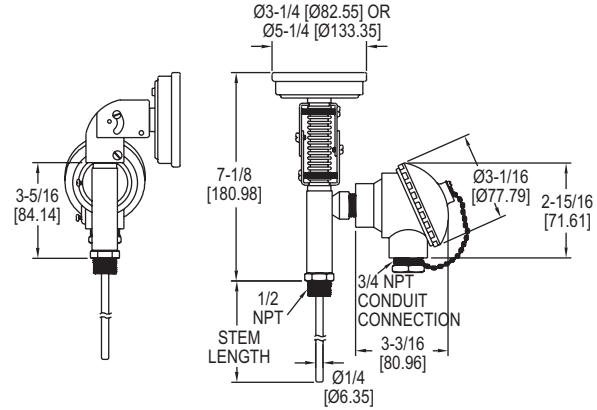


BIMETAL THERMOMETER WITH TRANSMITTER OUTPUT

Bimetal Stem with 4-20 mA Output, 3" or 5" Dial



The Series BTO Bimetal Thermometer with Transmitter Output eliminates the need for a separate thermometer and transmitter.

FEATURES/BENEFITS

- Thermometer and transmitter in one device
- Weatherproof construction

APPLICATIONS

- Boilers
- Compressors
- Thermal oxidizers

SPECIFICATIONS

THERMOMETER SPECIFICATIONS
Wetted Materials: 304 SS.
Housing Material: 304 SS.
Lens: Glass.
Accuracy: ±1% FS.
Temperature Limits: Ambient: -58 to 185°F (-50 to 85°C).
Dial Size: 3" or 5".
Process Connection: 1/2" NPT.
Resolution: 2°F (5°F for 400°F and 550°F models).
Weight: 1.95 lb.

TRANSMITTER SPECIFICATIONS
Temperature Limits: Ambient: -58 to 185°F (-50 to 85°C).
Power Requirement: 10-33 VDC.
Output Signal: 4-20 mA.
Loop Resistance: 1045 Ω.
Power Consumption: 38 mA.
Enclosure Rating: NEMA 4X (IP66).

MODEL CHART

Model	Dial Size	Stem Length	Range	Model	Dial Size	Stem Length	Range
BTO32551	3"	2.5"	0 to 250°F	BTO52551	5"	2.5"	0 to 250°F
BTO32571	3"	2.5"	50 to 550°F	BTO52571	5"	2.5"	50 to 550°F
BTO34051	3"	4"	0 to 250°F	BTO54051	5"	4"	0 to 250°F
BTO34071	3"	4"	50 to 550°F	BTO54071	5"	4"	50 to 550°F
BTO36051	3"	6"	0 to 250°F	BTO56051	5"	6"	0 to 250°F
BTO36071	3"	6"	50 to 550°F	BTO56071	5"	6"	50 to 550°F
BTO39051	3"	9"	0 to 250°F	BTO59051	5"	9"	0 to 250°F
BTO39071	3"	9"	50 to 550°F	BTO59071	5"	9"	50 to 550°F
BTO31251	3"	12"	0 to 250°F	BTO51251	5"	12"	0 to 250°F
BTO31271	3"	12"	50 to 550°F	BTO51271	5"	12"	50 to 550°F

Note: -40 to 160°F, 0 to 200°F, 50 to 300°F, and 50 to 400°F ranges available, contact factory for more information.